

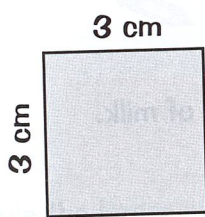
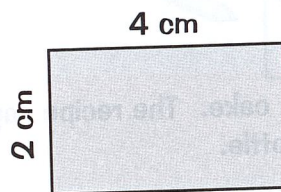
# Perimeter

## Warm Up Question

Which has the bigger perimeter — a triangle where each side is 3 cm long or a square where each side is 2 cm long?

1

Calculate the perimeters of the shapes below.

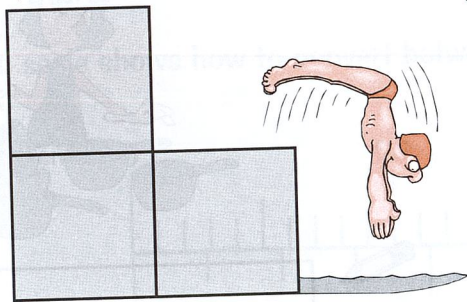

 cm

 cm

2 marks

2

The shape below is made up of 3 identical squares. Find its perimeter.

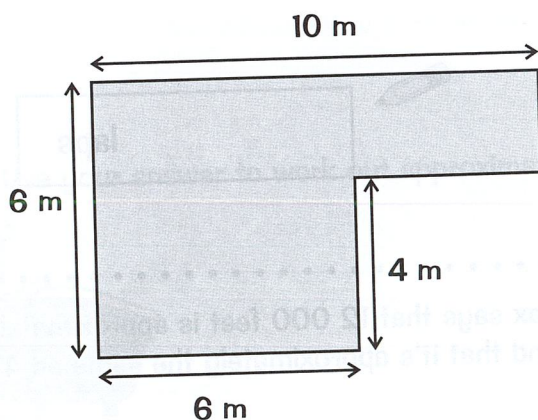
← 4 m →


 m

1 mark

3

Calculate the perimeter of this shape. The diagram has not been drawn to scale.


 m

1 mark

